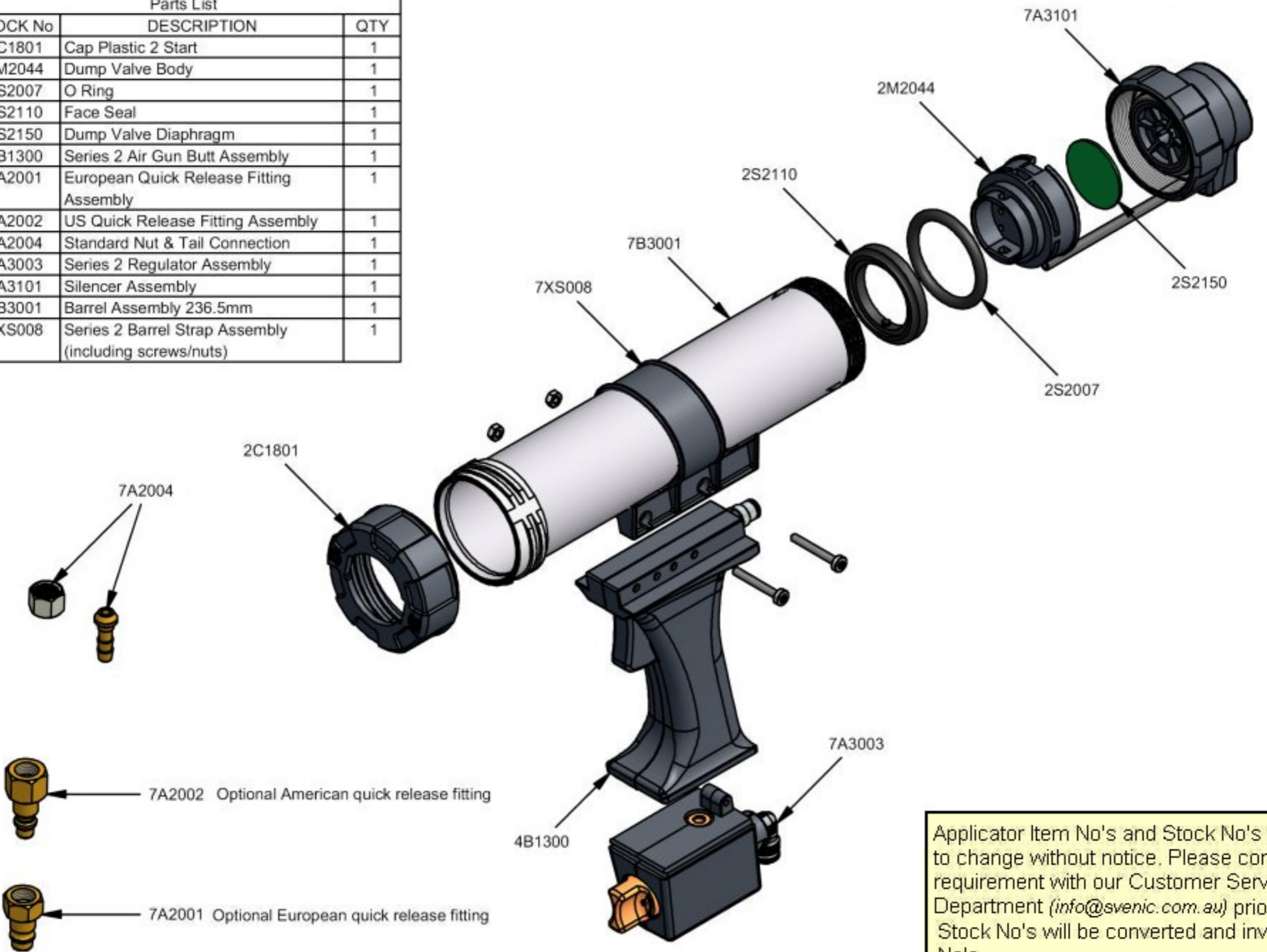


Parts List

STOCK No	DESCRIPTION	QTY
2C1801	Cap Plastic 2 Start	1
2M2044	Dump Valve Body	1
2S2007	O Ring	1
2S2110	Face Seal	1
2S2150	Dump Valve Diaphragm	1
4B1300	Series 2 Air Gun Butt Assembly	1
7A2001	European Quick Release Fitting Assembly	1
7A2002	US Quick Release Fitting Assembly	1
7A2004	Standard Nut & Tail Connection	1
7A3003	Series 2 Regulator Assembly	1
7A3101	Silencer Assembly	1
7B3001	Barrel Assembly 236.5mm	1
7XS008	Series 2 Barrel Strap Assembly (including screws/nuts)	1



Applicator Item No's and Stock No's are subject to change without notice. Please confirm your requirement with our Customer Service Department (info@svenic.com.au) prior to ordering. Stock No's will be converted and invoiced as Item No's.

712SAE - 215 mm Series 2 Cartridge Air Applicator
(for 300 mL Cartridges with 100 PSI limiting Air Regulation)



www.svenic.com.au
Tel: 61 (0) 7 5539 2255
Fax: 61 (0) 7 5539 1255

REV	DATE
G	02/02/2005